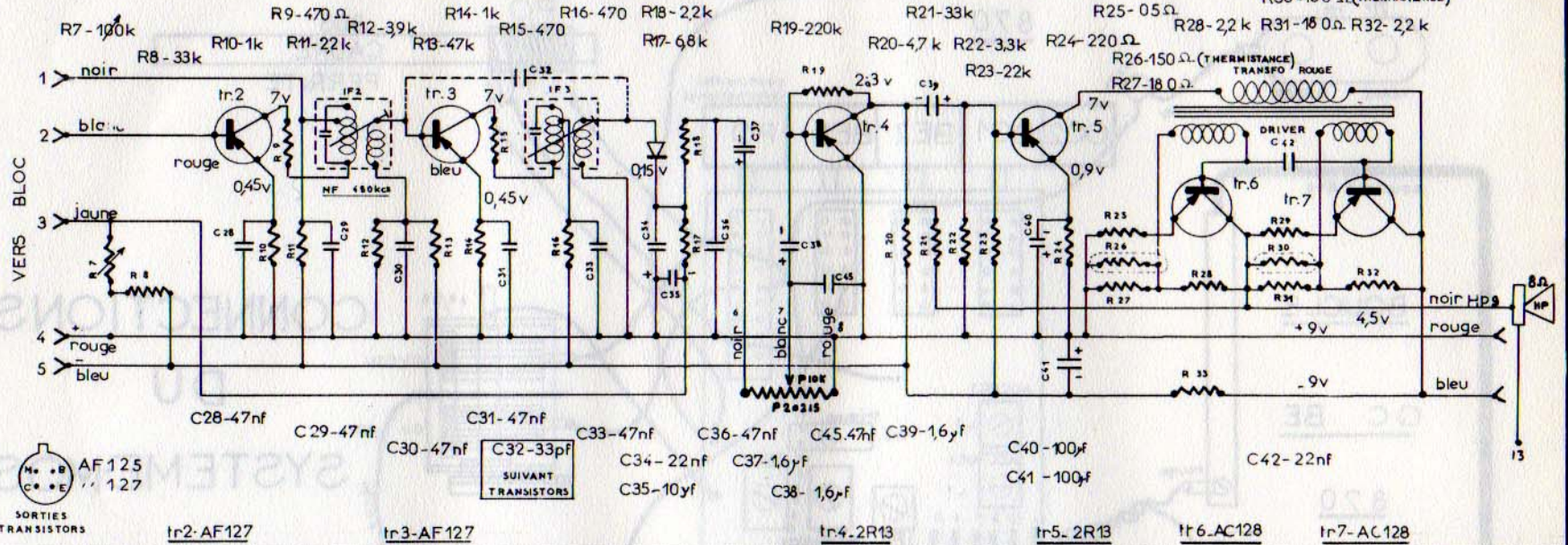


SYSTEME MOSTA TYPE MBS (IF-BF)

R33-220 Ω R29-0,5 Ω

R30-150 Ω (THERMISTANCE)



SORTIES TRANSISTORS

tr2-AF127

tr3-AF127

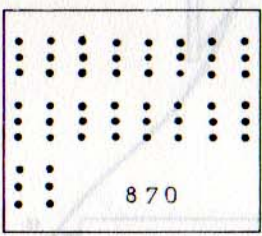
tr4-2R13

tr5-2R13

tr6-AC128

tr7-AC128

GAMMES		ACCORDS	
PO	520/1620kcs	600kcs. 1400kcs	
BE1	4,65.53mcs		
BE2	3,1-37mcs		
OC1	8,3-23mcs	9,5mcs	
OC2	3,7.8mcs	4,8mcs	



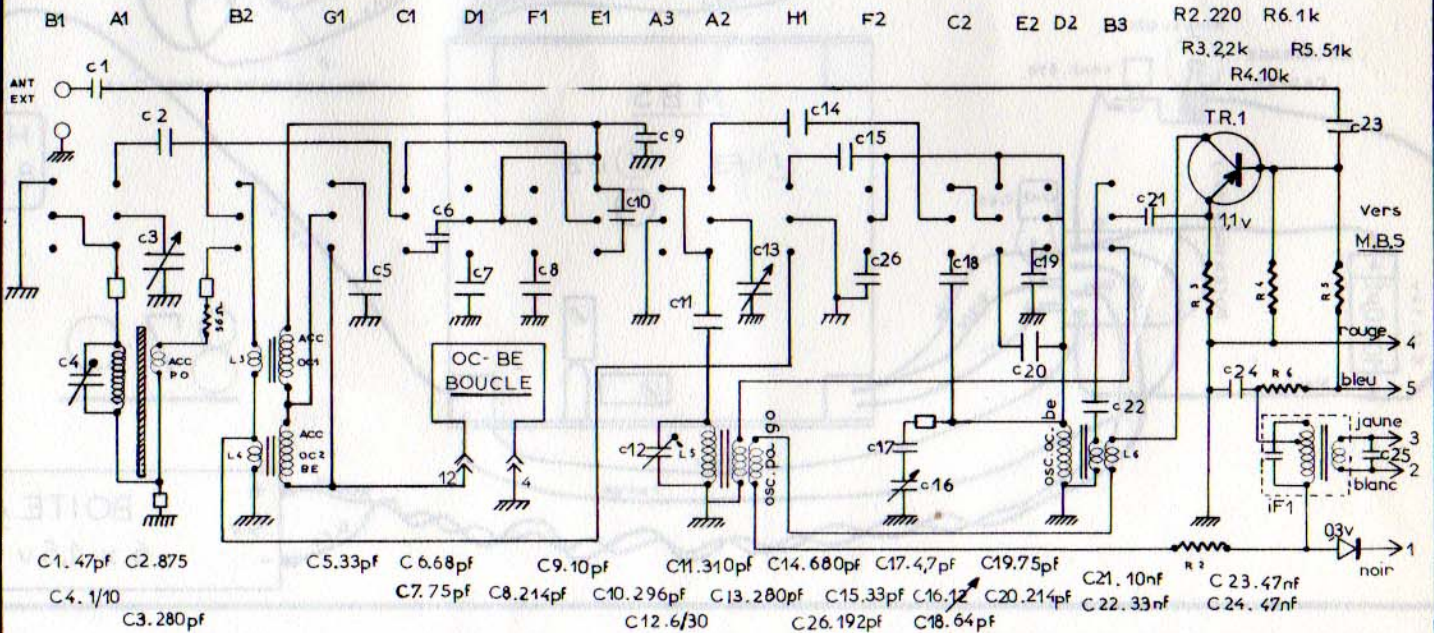
CONTACTEUR

COULEURS STANDARD DES SORTIES

NOIR: sorties de modulation
BLANC: entrées
ROUGE: tensions continues positives
JAUNE: polarisation ou autres

870

TR 1.AF125



C1. 47pf C2. 875

C5. 33pf C6. 68pf C9. 10pf C11. 310pf C14. 680pf C17. 47pf C19. 75pf

C4. 1/10

C7. 75pf C8. 214pf C10. 296pf C13. 280pf C15. 33pf C16. 12 C20. 214pf C22. 33nf C23. 47nf

C3. 280pf

C12. 6/30 C26. 192pf C18. 64pf

